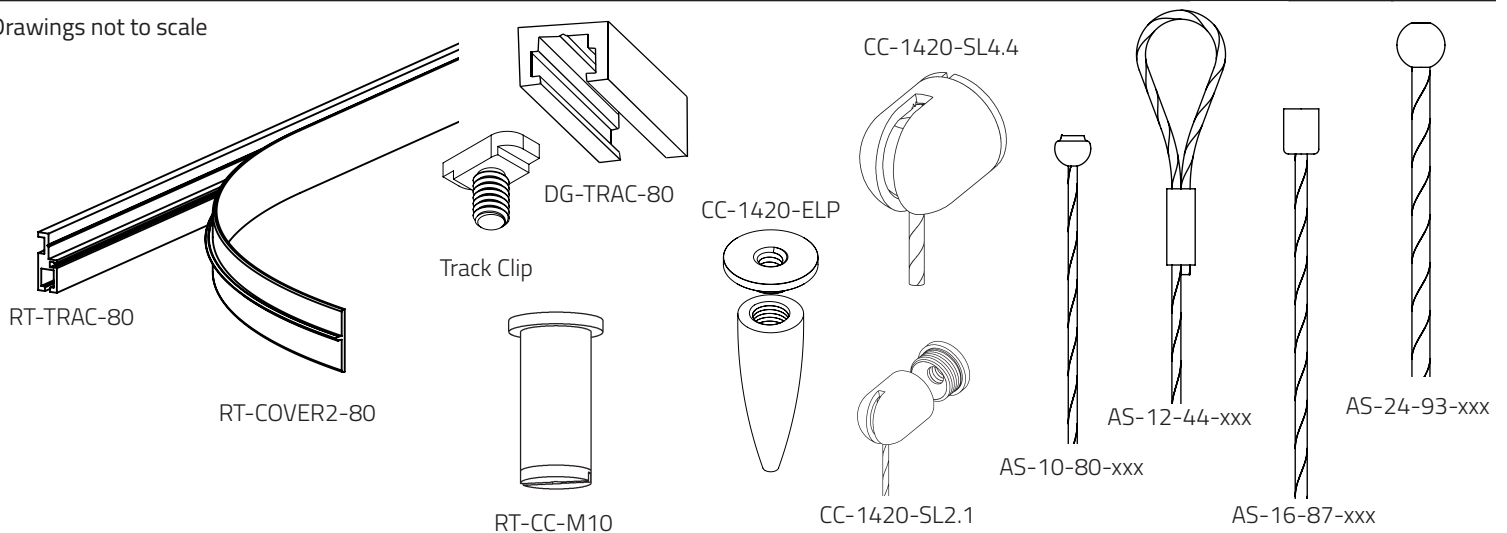


Suspension Points

Griplock P/N	Catalog Item Pg #	Description	Qty.	Price	Total
ART TRACK Deck screws included. Paintable and UV resistant.					
RT-TRAC-80	pg. 2	Aluminum Art Wall Track. 80" lengths. Can be cut to desired length.		26.00	
RT-COVER2-80	pg. 2	White PVC Track Cover. Pre-cut 82" lengths. Included with Wall Track.		Incl.	
RT-COVER	pg. 2	White PVC Track Cover. Continuous Roll (Ships separately).		Incl.	
RT-ENDCAPS	pg. 2	Wht. PVC End-caps. Each.		0.60	
DG-TRAC-80	pg. 2	Aluminum Ceiling Track. 80" lengths. Can be cut to desired length.		26.00	
Custom Cuts	pg. 2	Cut to length. Per cut.		5.00	
Track Clips	pg. 2	6 x 1/4-20 track clips. Included with Ceiling Track.		Incl.	
Extra Track Clips	pg. 2	1 x 1/4-20 track clip		1.00	
Ceiling Fixed Suspension Points					
RT-CC-M8	pg. 2	2-piece coupler for extra-fine and standard cable		4.55	
RT-CC-M10	pg. 2	2-piece coupler for standard and medium cable		4.75	
RT-CC-M13	pg. 2	2-piece coupler for heavy cable		4.95	
CC-1420-ELP	pg. 2	2-piece elliptical coupler for extra-fine, to heavy cable		6.25	
Angled Fixed Suspension Points					
CC-1420-SL2.1	pg. 2	2-Piece Swivel Coupler for extra-fine to medium cable		6.25	
CC-1420-SL4.4	pg. 2	3-Piece Swivel Coupler for heavy cable		10.25	
TOTAL THIS PAGE					

Drawings not to scale



Cables

Safe working loads (SWLs) are 20% of the minimum break strength of the gripper / cable combination. Cables are 7x7 stranded stainless steel.

Griplock P/N	Check for Looped Cables	Catalog Item Pg #	Description	Qty.	Price	Total
Extra-Fine 1mm cable with ball or loop terminal 17 lbs SWL						
AS-10-80-36		pg. 3	36" length		2.15	
AS-10-80-48		pg. 3	48" length		2.35	
AS-10-80-60		pg. 3	60" length		2.55	
AS-10-80-72		pg. 3	72" length		2.75	
AS-10-80-84		pg. 3	84" length		2.95	
AS-10-80-96		pg. 3	96" length		3.15	
AS-10-80-120		pg. 3	120" length		3.55	
Standard 3/64" cable with ball or loop terminal 22 lbs SWL						
AS-12-80-36		pg. 3	36" length		2.15	
AS-12-80-48		pg. 3	48" length		2.35	
AS-12-80-60		pg. 3	60" length		2.55	
AS-12-80-72		pg. 3	72" length		2.75	
AS-12-80-84		pg. 3	84" length		2.95	
AS-12-80-96		pg. 3	96" length		3.15	
AS-12-80-120		pg. 3	120" length		3.55	
Medium 1/16" cable with barrel or loop terminal 50 lbs SWL						
AS-16-87-36		pg. 3	36" length		2.15	
AS-16-87-48		pg. 3	48" length		2.35	
AS-16-87-60		pg. 3	60" length		2.55	
AS-16-87-72		pg. 3	72" length		2.75	
AS-16-87-84		pg. 3	84" length		2.95	
AS-16-87-96		pg. 3	96" length		3.15	
AS-16-87-120		pg. 3	120" length		3.55	
Heavy 3/32" cable with ball or loop terminal 87 lbs SWL						
AS-24-93-36		pg. 3	36" length		3.15	
AS-24-93-48		pg. 3	48" length		3.35	
AS-24-93-60		pg. 3	60" length		3.55	
AS-24-93-72		pg. 3	72" length		3.75	
AS-24-93-84		pg. 3	84" length		3.95	
AS-24-93-96		pg. 3	96" length		4.15	
AS-24-93-120		pg. 3	120" length		4.55	
Custom Cable (please specify length & diameter)						
TOTAL THIS PAGE						

Grippers

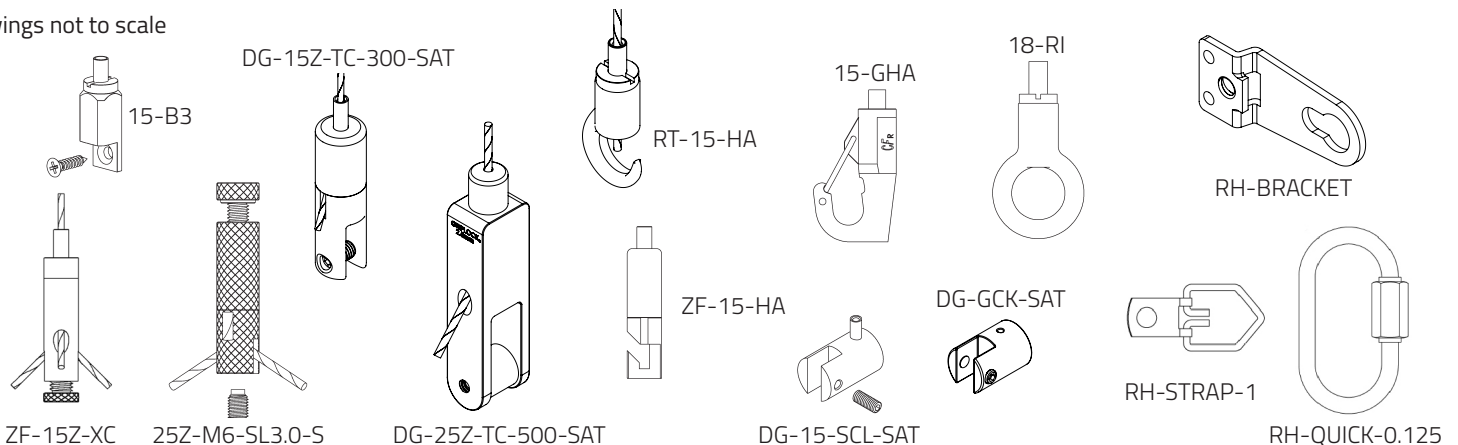
Grippers are bright nickel plated, unless SAT is included in part #, indicating satin chrome finish.

Griplock P/N	Catalog Item Pg #	Description	Qty.	Price	Total
15-B3	pg. 4	Frame Hanger Gripper for extra-fine, standard and medium cable		6.25	
18-B4	pg. 4	Frame Hanger Gripper for standard and medium cable		7.25	
25-B5	pg. 4	Frame Hanger Gripper for medium and heavy cable		8.25	
ZF-15Z-XC	pg. 4	Picture Wire Gripper for extra-fine, standard and medium cable		6.55	
ZF-18Z-XC	pg. 4	Picture Wire Gripper for standard and medium cable		7.55	
25Z-M6-SL3.0-S	pg. 4	Picture Wire Gripper for medium and heavy cable		8.55	
DG-15Z-TC-300-SAT	pg. 4	Top Clamp Gripper for extra-fine, standard and medium cable. For material $\leq 0.30''$		6.55	
DG-25Z-TC-500-SAT	pg. 4	Top Clamp Gripper for medium and heavy cable. For material $\leq 0.50''$		12.55	
RT-15-HA	pg. 5	Hook Gripper for extra-fine, standard and medium cable.		6.25	
18-HA	pg. 5	Hook Gripper for standard and medium cable.		7.25	
ZF-15-HA	pg. 5	Slim Hook Gripper for extra-fine, standard and medium cable.		5.55	
15-GHA	pg. 5	Snap Hook Gripper for extra-fine, standard and medium cable. With snap clip.		6.55	
DG-GCK-SAT	pg. 5	Guide Clamp for extra-fine & standard cable. Does not grip cable. Material $\leq 1/4''$		4.25	
DG-15-SCL-SAT	pg. 5	Left Side Clamp Gripper for extra-fine, standard & medium cable. Material $\leq 1/4''$		6.25	
DG-15-SCR-SAT	pg. 5	Right Side Clamp Gripper for extra-fine, standard & medium cable. Material $\leq 1/4''$		6.25	
RT-15-RI	pg. 5	Ring Gripper for extra-fine, standard and medium cable.		6.25	
18-RI	pg. 5	Ring Gripper for standard and medium cable.		7.25	
30-RI	pg. 5	Ring Gripper for heavy cable.		12.25	

Accessories

RH-BRACKET	pg. 6	Metal Frame Bracket		.55	
RH-STRAP-1	pg. 6	1" Strap Hanger		.55	
RH-STRAP-2	pg. 6	2" Strap Hanger		.85	
RH-QUICK-0.125	pg. 6	1 3/8" Quicklink		1.05	
TOTAL THIS PAGE					

Drawings not to scale



Totals and Shipping

TOTAL PAGE 1			
TOTAL PAGE 2			
TOTAL PAGE 3			
HANDLING	includes 1 x 86" shipping tube if applicable		15.00
TOTAL before Taxes and Shipping (Taxes applicable to CA customers only)			

SHIPPING & HANDLING: Customers pay shipping from Carpinteria, CA, 93013. Track pieces are shipped in a rigid cardboard tube (up to 15 tracks per tube, approx.). An excess handling charge, including the cardboard tube is applied. Continuous track cover ships in a separate container. All goods ship UPS ground unless specified.

RETURN POLICY: Goods must be returned within 30 days of purchase and must be deemed re-saleable by our quality control department. Goods are returned at customer's expense within 30 days of purchase. All returned goods are subject to a 20% re-stocking fee. Restocking fee may be waived for exchanged goods. Goods cannot be returned without Returned Merchandise Authorization (RMA) from Griplock Systems. Please contact the Sales Team for details regarding all returns.

PAYMENT TERMS: Payments can be made by the following methods: credit card (American Express, MasterCard or Visa), COD, or prepay (checks from U.S. banks only, wire transfers from non-U.S. banks). Credit terms are available. Please ask our Sales Team for a Credit Application and note that Credit Accounts can take up to three weeks to set up. All payments include shipping charges. An invoice will be mailed to you after each transaction.

SHIP TO: _____ ATTN: _____

STREET: _____ CITY: _____

STATE/PROVINCE: _____ ZIP: _____

PHONE: _____ FAX: _____ EMAIL: _____

CREDIT CARD#: _____ EXPIRATION: _____

CARDHOLDER SIGNATURE: _____ DATE: _____

PRINT NAME: _____ SECURITY CODE: _____

BILLING ADDRESS (if different from above):

STREET: _____ CITY: _____

STATE/PROVINCE: _____ ZIP: _____

PHONE: _____

PLEASE FILL OUT AND EMAIL TO ART@GRIPLOCKSYSTEMS.COM